

# ARRL Handbook CD

## Template File

**Title:** 13.8-V, 40-A Power Supply

**Chapter:** 11

**Topic:** A 13.8-V, 40-A Switching Power Supply

Template contains:

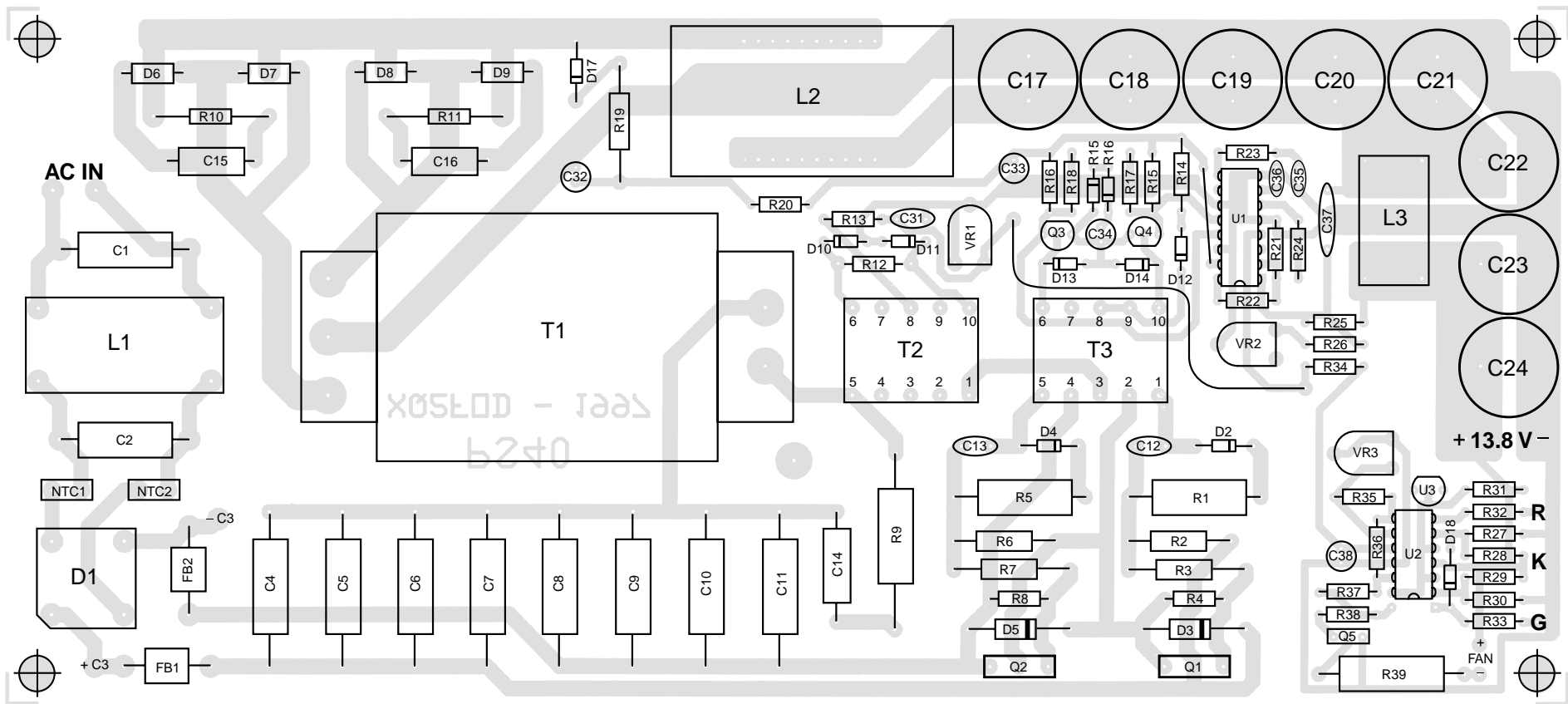
Parts placement diagram

PC Board Etching Pattern

Note: Etching pattern may be slightly too large for US Letter size paper on your printer.

Schematic Diagram

Note: The schematic diagram is printed correctly in the *2000 ARRL Handbook*. The schematic diagram is printed **incorrectly** in the *1999 ARRL Handbook*; this is the corrected schematic.



A 13.8-V, 40-A Switching Power Supply, Chapter 11

PS40  
XQ2F0D - 1997

